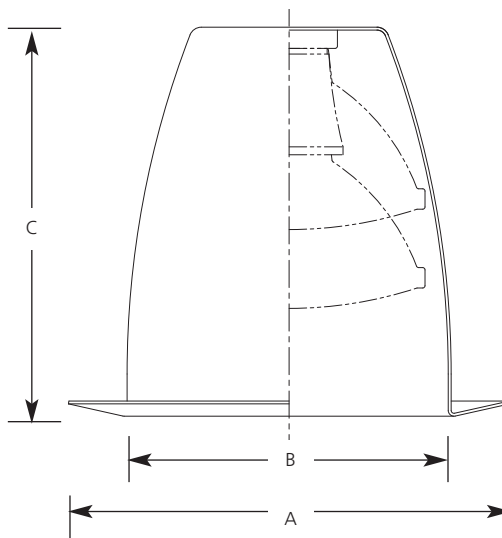


	Type _____			
	-09	-14	-21A	-22A
P8172	<input type="checkbox"/>	<input type="checkbox"/>	<input type="checkbox"/>	<input type="checkbox"/>

Catalog No.	Finish				Dimensions (Inches)		
	Brushed Nickel	Brushed Copper	Clear Alzak®	Gold Alzak®	A	B	C
P8172	-09	-14	-21A	-22A	7-3/4	6-9/16	10-5/8



Lamp Wattage

Housing	IC	Non-IC
P85-AT	65BR30,50PAR30	65BR30,50PAR30
P85-TG	N/A	85BR30,75PAR30
P85-FB	N/A	85BR30,75PAR30
P185-TG	N/A	85BR30,75PAR30

Specifications:

Flange

- Bright white powder coated flange (on all but Nickel and Copper)
- Integral to trim
- No light leaks around trim flange
- Flange covers irregular ceiling openings
- Nickel and Copper flange is brushed in same finish

Trim

- One piece aluminum construction
- Designed for use with PAR30 lamps
- Socket cup mounts to trim for optimum performance and consistent lamp position
- Heavy duty retention spring (shipped with housing) provides solid mounting of trim in a housing

Labels

- UL-CUL damp location listed